



BEASEL  
**WALL LIGHT**  
SBHL-BL-SB

## Product discription

Introducing the BEASEL series Wall Light: Crafted for durability and adaptability, featuring a die-cast aluminium body with IP65 and IK10 protection for outdoor resilience. It offers customizable illumination to elevate any exterior space with modern sophistication and reliable performance. Seamlessly integrated with a built-in driver, installation is effortless, promising precision lighting with style.

### Application Area

- Indoor
- Outdoor
- Compound Walls
- Pathways
- Gardens

## Certifications

- CE
- RoHS

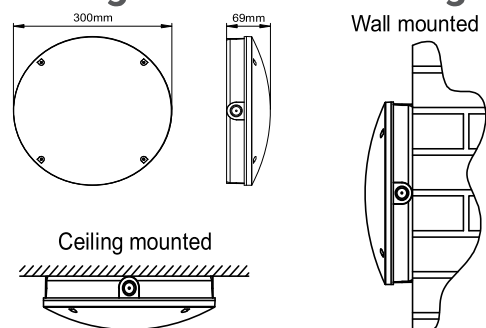
## Options

BODY FINISH	BLACK
BEAM ANGLE	120
COLOUR TEMPERATURE	3000K/4000K/6000K

## Basic details

WATTAGE	9W-14W-18W SWITCHABLE
COLOUR TEMPERATURE	3000K/4000K/6000K
LUMINOUS FLUX/WATT	120LM/W
INPUT VOLTAGE	220-240V AC
FREQUENCY	50/60HZ
DRIVER TYPE	NON-ISOLATED
OUTPUT CURRENT TYPE	DC
OUTPUT CURRENT (mA)	180
MAXIMUM OUTPUT VOLTAGE(V)	90V
POWER FACTOR	>0.7
CRI	>80
MATERIAL	DIE CAST ALUMINIUM + PC
BODY FINISH	BLACK
LIFE HOURS	25000
BEAM ANGLE	120*
LED TYPE	SMD
IP RATING	IP65
IK RATING	10
WORKING TEMPERATURE	-20°C - +40*
CUGR	<22

## Mounting information image



H 300mm x W 300mm x D 69mm



BERN  
**WALL LIGHT**  
SBHL-BN-SB

## Product description

Introducing the BERN series Wall Light: Crafted from durable die-cast aluminium with IP65 and IK10 protection, it ensures longevity in outdoor environments. It provides versatile lighting solutions tailored to different needs. Seamlessly integrated with a built-in driver, it offers efficiency and sophistication, elevating any exterior space with style and functionality

### Application Area

- Indoor
- Outdoor
- Compound Walls
- Pathways
- Gardens

## Certifications

- CE
- RoHS

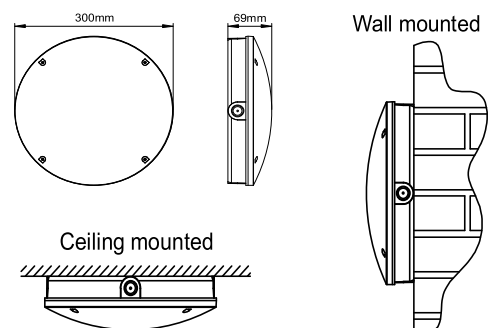
## Options

BODY FINISH	BLACK
BEAM ANGLE	120
COLOUR TEMPERATURE	3000K/4000K/6000K

## Basic details

WATTAGE	9W-14W-18W SWITCHABLE
COLOUR TEMPERATURE	3000K/4000K/6000K
LUMINOUS FLUX/WATT	120LM/W
INPUT VOLTAGE	220-240V AC
FREQUENCY	50/60HZ
DRIVER TYPE	NON-ISOLATED
OUTPUT CURRENT TYPE	DC
OUTPUT CURRENT (mA)	180
MAXIMUM OUTPUT VOLTAGE(V)	90V
POWER FACTOR	>0.7
CRI	>80
MATERIAL	DIE CAST ALUMINIUM
BODY FINISH	BLACK
LIFE HOURS	50000
BEAM ANGLE	120*
LED TYPE	SMD
IP RATING	IP65
IK RATING	10
WORKING TEMPERATURE	-20°C - +40*
CUGR	<22

## Mounting information image



H 300mm x W 300mm x D 69mm