

## WIRED CHIME 220V-240V50Hz



- White plastic case
- with built in transformer 220~240V,
- 8V, 0.8Amp;
- Power by 4xC size battery
- or external transformer (8V,1A)
- Directly to AC 110/230V main power;
- with short-circuit protection by PTC
- 80dB@1m;
- Size: 170x105x49mm



SB-4431E



SB-4437A



SB-4448C



SB-4439B

### Installation

- Installation should be made by a registered electrician.
- Ensure the mains power is disconnected before installation.
- Mount the BellChime as high as possible to help sound travel and to make tamper proof.

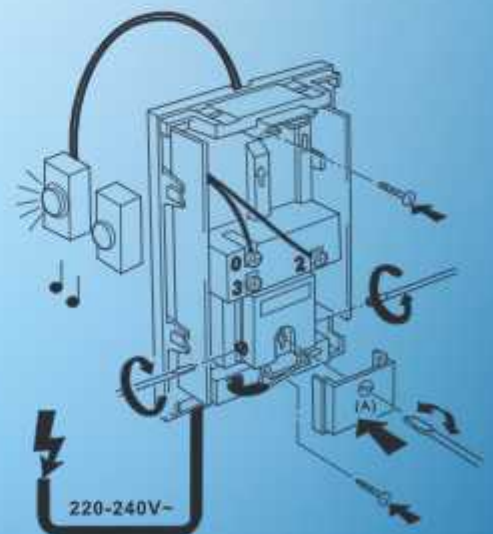


Ensure that the mains terminal cover (A) is in place when installation is complete.

## SMALL WIRED CHIME 220V-240V50Hz



- White plastic case
- Power by 9V battery
- or external transformer (8V,1A)
- Directly to AC 110/230V main power;
- with short-circuit protection by PTC
- 75dB@1m;
- Size: 116x116x48mm



Selex UK PVT. LTD.  
11 - 12 St. James's Square,  
London, United Kingdom