



3" LED RECESSED ADJUSTABLE DOWNLIGHT



Product Features

- Thermal Conductive Plastic Coated Aluminum Housing
- V-0 Flame rating
- Integrated design, built-in Driver
- Class II Electrical protection
- L70 - 30,000Hrs

Application

- Offices
- Classrooms
- Hall ways
- Luxurious Hotels
- Supermarkets

Advantages

- 80% Energy Saving
- Environmentally Safe
- Less Heat produced
- Innovative , Easy installation and long Life

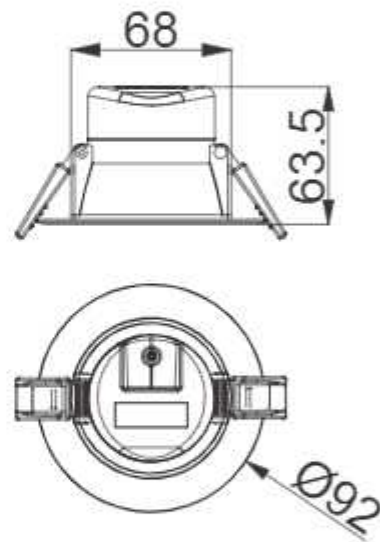
Energising Tomorrow





TECHNICAL DATA

Product Code	: SLD-7CL
Power	: 7W
Voltage	: 220-240V AC
Luminous Flux	: 650 Lm
Efficacy	: 92 Lm/W
Energy efficiency	: A+
Net weight	: 0.09 Kg
CRI	: > 80
Beam angle	: 120°
Operating temperature	: -20 °C to + 40 °C
Storage temperature	: Up to 50°C
Material	: Die Cast Aluminium
CCT	: 3000K / 6500K
IP	: 44
Dimmable	: No
Life Time	: 30,000Hrs
Cover	: Clear Diffuser
Finishing color	: White
Mounting	: Recessed
Size in mm (LxWxH)	: 92X63.5





3" LED RECESSED DOWNLIGHT



Product Features

- Thermal Conductive Plastic Coated Aluminum Housing
- V-0 Flame rating
- Integrated design, built-in Driver
- Class II Electrical protection
- L70 - 30,000Hrs

Application

- Offices
- Classrooms
- Hall ways
- Luxurious Hotels
- Supermarkets

Advantages

- 80% Energy Saving
- Environmentally Safe
- Less Heat produced
- Innovative , Easy installation and long Life

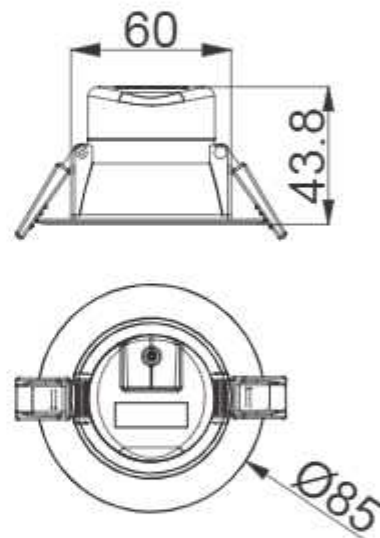
Energising Tomorrow





TECHNICAL DATA

Product Code	: SLD-7FR
Power	: 7W
Voltage	: 220-240V AC
Luminous Flux	: 650 Lm
Efficacy	: 92 Lm/W
Energy efficiency	: A+
Net weight	: 0.110 Kg
CRI	: > 80
Beam angle	: 120°
Operating temperature	: -20 °C to + 40 °C
Storage temperature	: Up to 50°C
Material	: Die Cast Aluminium
CCT	: 3000K / 6500K
IP	: 44
Dimmable	: No
Life Time	: 30,000Hrs
Cover	: Frosted Diffuser
Finishing color	: White
Mounting	: Recessed
Size in mm (LxWxH)	: 85X43.8





6" LED RECESSED DOWNLIGHT



Product Features

Thermal Conductive Plastic Coated
Aluminum Housing
V-0 Flame rating
Integrated design, built-in Driver
Class II Electrical protection
L70 - 30,000Hrs

Application

- > Offices
- > Classrooms
- > Hall ways
- > Luxurious Hotels
- > Supermarkets

Advantages

80% Energy Saving
Environmentally Safe
Less Heat produced
Innovative , Easy
installation and long Life

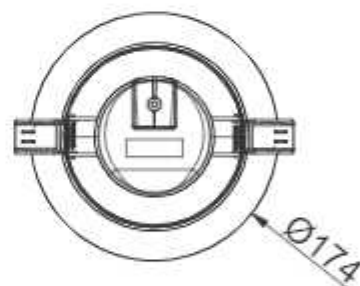
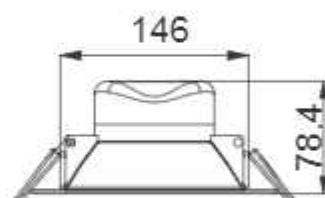
Energising Tomorrow





TECHNICAL DATA

Product Code	: SLD-17
Power	: 17W
Voltage	: 220-240V AC
Luminous Flux	: 1670 Lm
Efficacy	: 98 Lm/W
Energy efficiency	: A+
Net weight	: 0.235 Kg
CRI	: > 80
Beam angle	: 120°
Operating temperature	: -20 °C to + 40 °C
Storage temperature	: Up to 50°C
Material	: Die Cast Aluminium
CCT	: 3000K / 6500K
IP	: 44
Dimmable	: No
Life Time	: 30,000Hrs
Cover	: Frosted Diffuser
Finishing color	: White
Mounting	: Recessed
Size in mm (LxWxH)	: 174X78.4





8" LED RECESSED DOWNLIGHT



Product Features

- Thermal Conductive Plastic Coated Aluminum Housing
- V-0 Flame rating
- Integrated design, built-in Driver
- Class II Electrical protection
- L70 - 30,000Hrs

Application

- Offices
- Classrooms
- Hall ways
- Luxurious Hotels
- Supermarkets

Advantages

- 80% Energy Saving
- Environmentally Safe
- Less Heat produced
- Innovative , Easy installation and long Life

Energising Tomorrow





TECHNICAL DATA

Product Code	: SLD-25
Power	: 25W
Voltage	: 220-240V AC
Luminous Flux	: 2550 Lm
Efficacy	: 102 Lm/W
Energy efficiency	: A+
Net weight	: 0.535 Kg
CRI	: > 80
Beam angle	: 120°
Operating temperature	: -20 °C to + 40 °C
Storage temperature	: Up to 50°C
Material	: Die Cast Aluminium
CCT	: 3000K / 6500K
IP	: 44
Dimmable	: No
Life Time	: 30,000Hrs
Cover	: Frosted Diffuser
Finishing color	: White
Mounting	: Recessed
Size in mm (LxWxH)	: 244X94.5

